

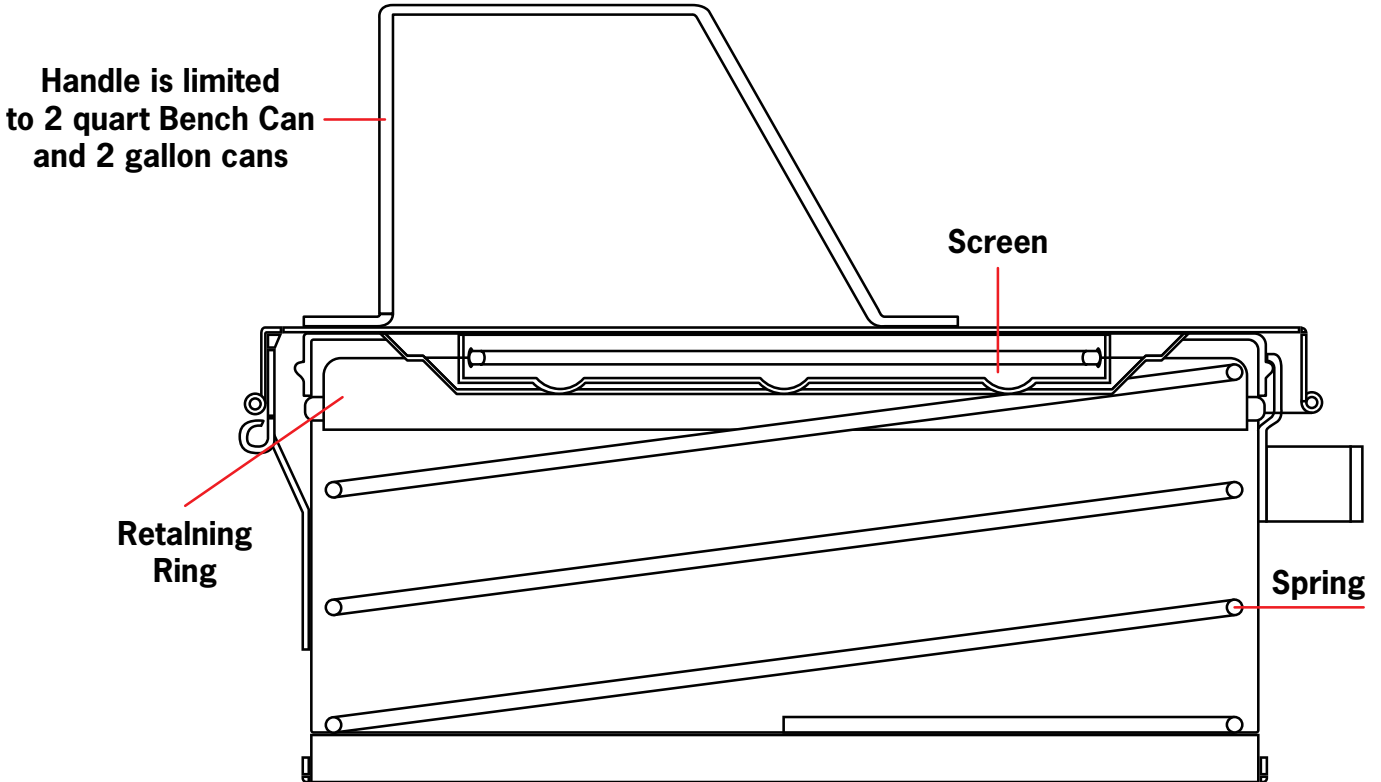
Bench Cans



Regulatory Approval/Code Reference	
OSHA 29 CFR 1910.106(e)(2)(iv)(a)	Flammable liquids shall be kept in covered containers when not actually in use.
OSHA 29 CFR 1910.106(e)(2)(ii)	Containers. Flammable or combustible liquids shall be stored in tanks or closed containers
OSHA 29 CFR 1910.106(a)(9)	Closed container shall mean a container as herein defined, so sealed by means of a lid or other device that neither liquid nor vapor will escape from it at ordinary temperatures.
FM Global	FM APPROVED

Material specifications

- 24 ga. steel throughout, with fully welded construction.
- Powder coat finish: 2.4 to 2.5 mills avg.
- Cover Gasket – Volara (09400 only).
- Standard color option : Red.



Bench cans					
Pubcode	Description	Dimensions (OD x H)	Dasher	Wt	Approval
SBCR1	1 QT BENCH CAN	4-7/8 x 5-1/2 (124 x 140 mm)	4.5 (108 mm)	1.5	FM
SBCR2	2 QT BENCH CAN	9-3/8 x 3-1/4 (238 x 83 mm)	7.5 (191 mm)	4	FM
SBCR4	1 GAL BENCH CAN W/O BASKET	9-3/8 x 4-1/2 (238 x 114 mm)	7.5 (191 mm)	5	FM