

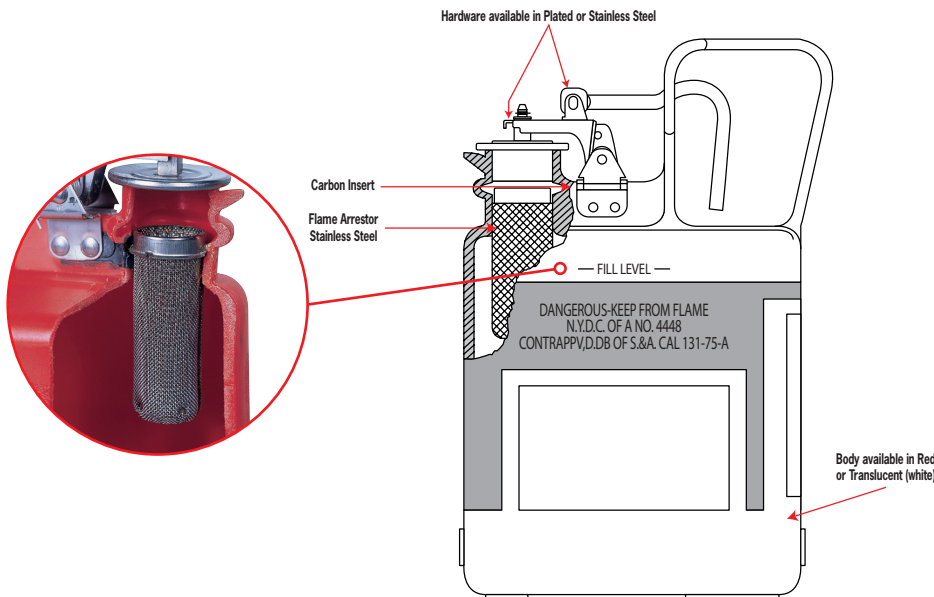
Nonmetallic Safety Cans - Disposal Cans - Laboratory Cans



Regulatory Approval/Code Reference	
OSHA 29 CFR 1910.106(a)(29)	Safety Can shall mean an approved container, of not more than 5 gallons capacity, having a spring-closing lid and spout cover and so designed that it will safely relieve internal pressure when subjected to fire exposure.
OSHA 29 CFR 1910.106(d)(3)(i&ii)	California Air Resources Board (CARB) Title 13 of the California Code of Regulations: This Article does not apply to safety cans meeting the requirements of Chapter 17, Title 29, Subpart F, of the Code of Federal Regulations.
NFPA Code 30 – 2008 Edition	30.3.3.11, Container not more than 5.3 gallon (20L) capacity having spring loaded closing lid.
FM Global	FM APPROVED
UL	UNDERWRITERS LABORATORIES APPROVED

Material Specifications

- Body – Blow molded 0.25 nominal wall HPDE construction.
- Closure – Volara (closed cell polyethylene).
- Handle Linkage and Hardware –Stainless Steel.
- Carbon insert – for grounding and bonding poly can.



Oval Nonmetallic Safety Cans				
Pubcode	Description	Hardware	Dimensions (mm)	Approval
BSR2PO	1/2 gallon Polyethylene Safety Can	Stainless Steel	4-5/8 x 7-5/8 x 9-1/2 (117 x 194 x 241)	FM
BSR4PO	1 gallon Polyethylene Safety Can	Stainless Steel	4-5/8 x 7-5/8 x 12-3/4 (117 x 194 x 324)	FM